

## DS-MCW406

### Linux Economical Wi-Fi Body Camera



- 2688 × 1520 2K HD recording
- IR function to recognize the facial features in the captured picture even in dim environment
- Realtime status transmitted to central platform via Wi-Fi connection.
- Small size, light weight, and convenient to carry.

## ▪ Specification

| <b>Camera</b>                         |                                                                                      |
|---------------------------------------|--------------------------------------------------------------------------------------|
| Image Sensor                          | 1/3" progressive scan CMOS                                                           |
| Max. Resolution                       | 2688 × 1520                                                                          |
| Min. Illumination                     | Color: 0.07 Lux @ (F2.0, AGC ON), 0 Lux with supplement light                        |
| Day & Night                           | Switch IR Cut Filter Automatically                                                   |
| Zoom                                  | 4× Digital                                                                           |
| <b>Lens</b>                           |                                                                                      |
| Focal Length                          | 2.4 mm fixed lens                                                                    |
| FOV                                   | Horizontal FOV: 129°<br>Vertical FOV: 70°<br>Diagonal FOV: 140°                      |
| Aperture                              | F2.0                                                                                 |
| <b>Video</b>                          |                                                                                      |
| Video Format                          | PS, MP4                                                                              |
| Sub Stream                            | 30 fps (1280 × 720, 720 × 576)                                                       |
| Pre-record & Post- record             | Pre-record: 10 s;<br>Post-record: 60 s                                               |
| Video Compression                     | H.264, H.265                                                                         |
| Main Stream                           | 60 Hz: 30 fps (2688 × 1520, 1920 × 1080, 1280 × 720, 720 × 576)                      |
| <b>Audio</b>                          |                                                                                      |
| Audio Compression for Video Recording | G722_1, AAC                                                                          |
| Audio Compression for Audio Recording | PCM                                                                                  |
| Audio Compression for Group Intercom  | G711_A, G711_MU, G722_1                                                              |
| Audio Bit Rate                        | G711_A (64 kbps), G711_MU (64 kbps), G722_1 (16 kbps), AAC (64 kbps), PCM (128 kbps) |
| <b>Image</b>                          |                                                                                      |
| Image Format                          | JPEG                                                                                 |
| <b>Screen</b>                         |                                                                                      |
| Screen Size                           | 1.77"                                                                                |
| Display Resolution                    | 128 × 160                                                                            |
| Touchscreen                           | Not supported                                                                        |
| <b>Storage</b>                        |                                                                                      |
| RAM                                   | 128 MB                                                                               |
| ROM                                   | Default 32 GB, 64 GB/128 GB/256 GB optional                                          |
| <b>IR</b>                             |                                                                                      |
| IR Range                              | Up to 10 m                                                                           |
| IR Wavelength                         | 850 nm                                                                               |
| <b>Wireless Network</b>               |                                                                                      |
| Wi-Fi Frequency Band                  | 2.412 to 2.472 GHz                                                                   |
| Wi-Fi Protocol                        | 802.11 a/b/g/n                                                                       |
| Positioning Mode                      | GPS                                                                                  |
| <b>Network</b>                        |                                                                                      |
| Protocol                              | HTTPS, RTSP, NTP, FTP                                                                |
| API                                   | ONVIF (PROFILE S, PROFILE G, PROFILE T), ISAPI, SDK, ISUP                            |

| Interface           |                                                                                                                                                        |
|---------------------|--------------------------------------------------------------------------------------------------------------------------------------------------------|
| Audio Type          | 1 built-in mic(s), 1 speaker(s)                                                                                                                        |
| USB                 | USB 2.0                                                                                                                                                |
| Indicator           | 2 Indicator(s) for Charging/Working/Recording/Exception                                                                                                |
| Charging Interface  | Type-C                                                                                                                                                 |
| Button              | Power, Recording, Audio recording, Picture capture, Menu, Up, Down, Enter                                                                              |
| General             |                                                                                                                                                        |
| Operating Condition | -20 °C to 55 °C (-4 °F to 131 °F). Humidity 95% or less (non-condensing)                                                                               |
| Power               | 5 VDC, 2.0 A, max. 10 W                                                                                                                                |
| Dimension           | 85 mm × 59 mm × 30 mm (3.4" × 2.3" × 1.2")                                                                                                             |
| Weight              | 125 g (without mounting) (0.27 lb.)                                                                                                                    |
| Operating System    | Linux                                                                                                                                                  |
| Client              | Hik-Connect, HikCentral Pro, HikCentral Master Lite                                                                                                    |
| MIC                 | Supported                                                                                                                                              |
| Speaker             | 1 Built-in speaker, Max. power consumption: 1 W, Max. sound pressure level: 87 dB (10 cm)                                                              |
| Battery             |                                                                                                                                                        |
| Battery Type        | Lithium-ion battery, integral                                                                                                                          |
| Capacity            | 2500 mAh                                                                                                                                               |
| Charging Time       | ≤ 3 h                                                                                                                                                  |
| Battery Duration    | Up to 12 h in 720 p resolution <sup>1</sup>                                                                                                            |
| Approval            |                                                                                                                                                        |
| RF                  | EN 300 328 V2.1.1 (BT or 2.4 G); EN 62311:2008 (BT or 2.4 G);                                                                                          |
| EMC                 | CE-EMC: EN 55032: 2015, EN 61000-3-2: 2019, EN 61000-3-3: 2013, EN 50130-4: 2011 +A1: 2014                                                             |
| Safety              | CB: IEC 62368-1: 2014+A11, IEC 62368-1: 2018<br>CE-LVD: EN 62368-1: 2014/A11: 2017, EN IEC 62368-1:2020+A11:2020<br>CE-LVD: EN 62368-1: 2014/A11: 2017 |
| Environment         | CE-RoHS: 2011/65/EU, WEEE: 2012/19/EU, Reach: Regulation (EC) No 1907/2006                                                                             |
| Protection          | IP67: IEC 60529-2013, MIL STD 810 G                                                                                                                    |

1: This is a basic estimation of battery working life only when recording is on. Additional power consumption should be considered when IR, GPS, and/or network connection is on.

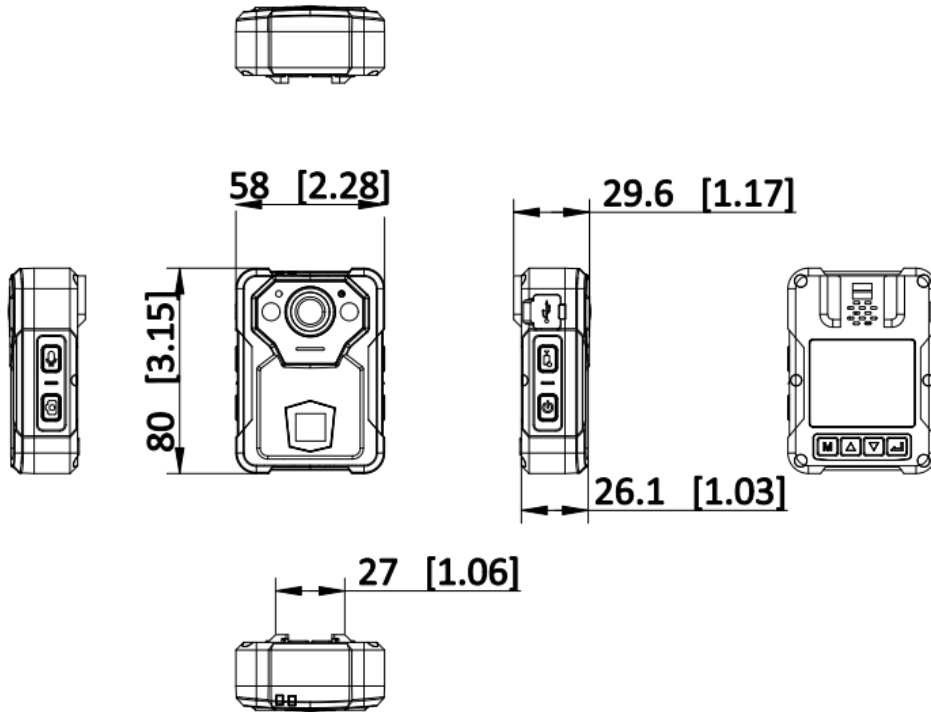
### ▪ Available Model

DS-MCW406/32G/GPS/WIFI

DS-MCW406/32G

DS-MCW406/32G/GPS/WIFI/NS

Dimension

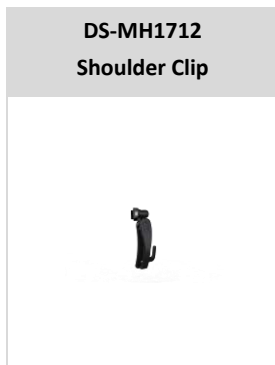


Unit: mm [inch]

|       |     |
|-------|-----|
| SCALE | 1:1 |
|-------|-----|

## Accessory

### ▪ Included



### ▪ Optional

|                                                                                     |                                                                                     |                                                                                     |                                                                                      |                                                                                      |
|-------------------------------------------------------------------------------------|-------------------------------------------------------------------------------------|-------------------------------------------------------------------------------------|--------------------------------------------------------------------------------------|--------------------------------------------------------------------------------------|
| <b>DS-MH1710-N1-MG<br/>Metal Clip</b>                                               | <b>DS-MH1710-N1-S<br/>Body Camera Metal Clip</b>                                    | <b>DS-MH1711-HM<br/>Body Camera Chest<br/>Harness</b>                               | <b>DS-MH1721<br/>Oblique Shoulder<br/>Harness</b>                                    | <b>DS-MH1310-M1<br/>Body Camera Battery</b>                                          |
|   |   |   |   |  |
| <b>DS-MH1712<br/>Clip of Body Camera</b>                                            | <b>DS-MH1717<br/>Body Camera -<br/>Magnetic Clip</b>                                | <b>DS-MH1716<br/>Body Camera - Alligator<br/>Clip</b>                               | <b>DS-MH1715<br/>Body Camera -<br/>Wearable Clip</b>                                 |                                                                                      |
|  |  |  |  |                                                                                      |

#### Headquarters

No.555 Qianmo Road, Binjiang District,  
Hangzhou 310051, China  
T +86-571-8807-5998  
www.hikvision.com



Follow us on social media to get the latest product and solution information.



Hikvision



HikvisionHQ



HikvisionHQ



Hikvision\_Global



Hikvision  
Corporate Channel



hikvisionhq