

## DS-7600NI-Q1 Series NVR

### Key Feature

- Up to 4/8/16-ch IP camera inputs
- H.265+/H.265/H.264+/H.264 video formats
- Up to 1-ch@8 MP/5-ch@1080p decoding capacity
- Up to 40/80/160 Mbps incoming bandwidth



### Professional and Reliability

- H.265+ compression effectively reduces the storage space by up to 75%

### HD Video Output

- Provide simultaneous HDMI and VGA outputs
- HDMI video output at up to 4K resolution

### Storage and Playback

- 1 SATA interface for HDD connection (up to 8 TB capacity per HDD)
- Smart search/smart playback to improve the playback efficiency

### Smart Function

- Support multiple VCA (Video Content Analytics) events
- Configurable special camera smart functions, such as VCA detection (motion, line crossing, intrusion, etc.), heat map, ANPR, and people counting

### Network & Ethernet Access

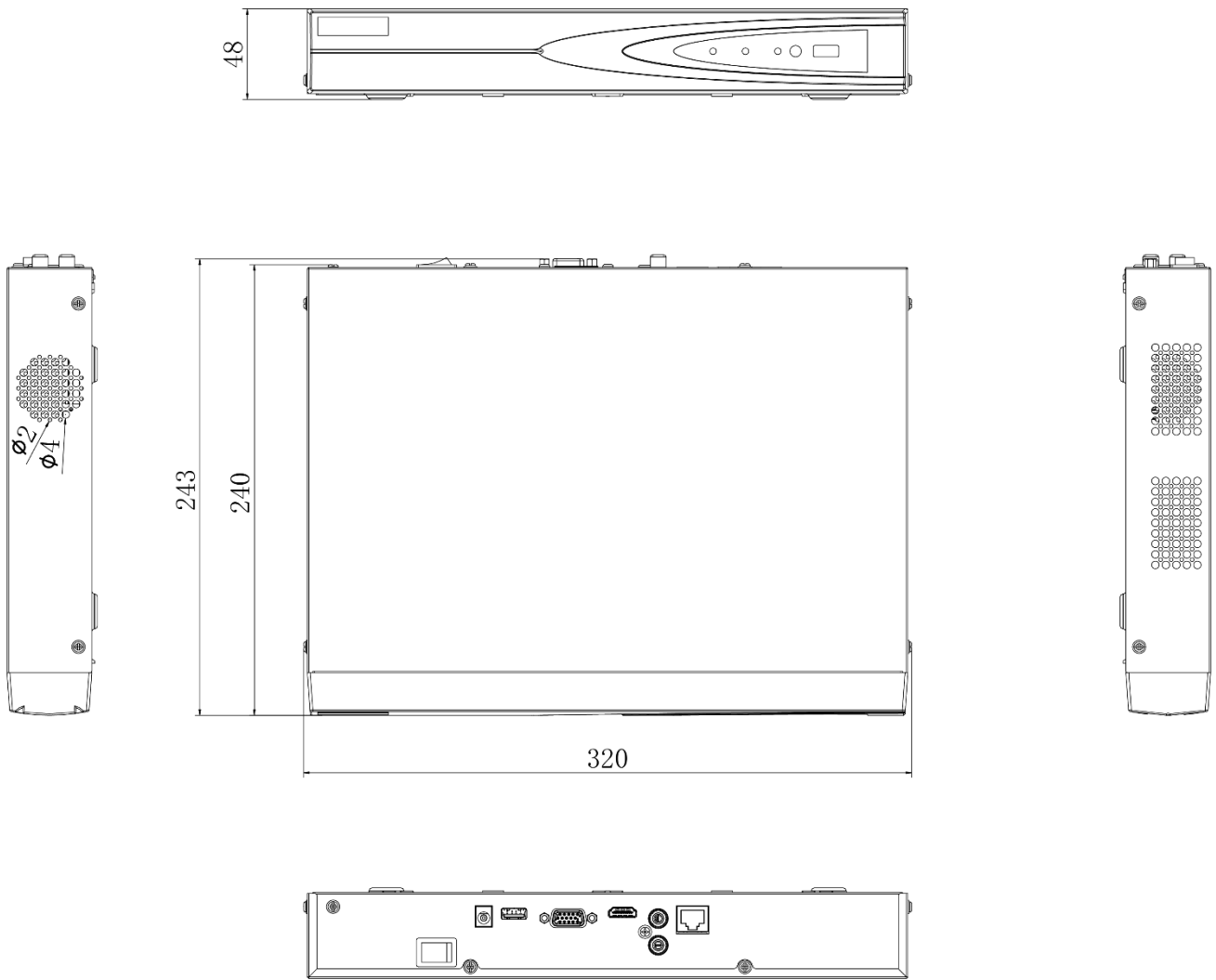
- 1 self-adaptive 10/100/1000 Mbps Ethernet interface for DS-7616NI-Q1
- Hik-Connect & DDNS (Dynamic Domain Name System) for easy network management



## Specification

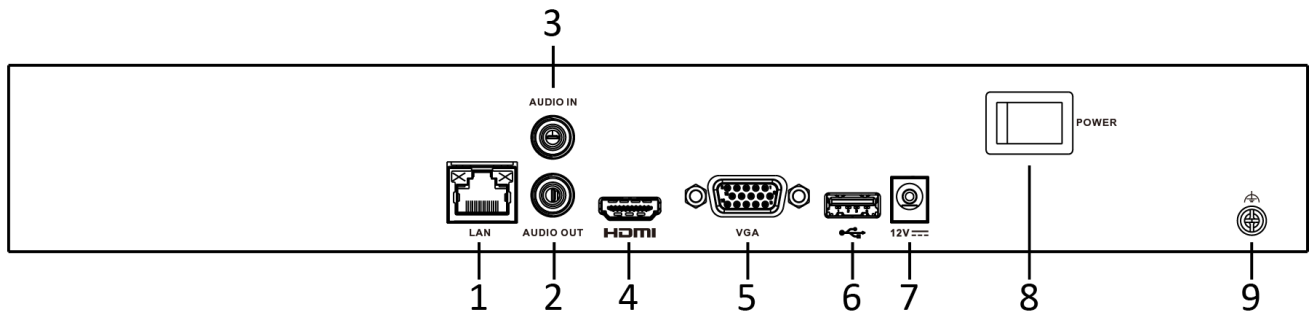
| Model                      | DS-7604NI-Q1  | DS-7608NI-Q1 | DS-7616NI-Q1   |
|----------------------------|---|--------------|--|
| <b>Video and Audio</b>     |   |              |  |
| IP video input             | 4-ch  | 8-ch         | 16-ch  |
|                            | Up to 8 MP resolution   |              |  |
| Incoming bandwidth         | 40 Mbps   | 80 Mbps      | 160 Mbps   |
| Outgoing bandwidth         | 80 Mbps   |              |  |
| HDMI output                | 1-ch, 4K (4096 x 2160)/30 Hz, 4K (3840 x 2160)/30 Hz, 2K (2560 x 1440)/60 Hz, 1920 x 1080/60 Hz, 1600 x 1200/60 Hz, 1280 x 1024/60 Hz, 1280 x 720/60 Hz |              |  |
| VGA output                 | 1-ch, 1920 x 1080/60 Hz, 1280 x 1024/60 Hz, 1280 x 720/60 Hz  |              |  |
| Video output mode          | HDMI/VGA simultaneous output  |              |  |
| CVBS output                | N/A   |              |  |
| Audio output               | 1-ch, RCA (Linear, 1 KΩ)  |              |  |
| Two-way audio input        | 1-ch, RCA (2.0 Vp-p, 1 KΩ, using the audio input)   |              |  |
| <b>Decoding</b>            |   |              |  |
| Decoding format            | H.265+/H.265/H.264+/H.264   |              |  |
| Recording resolution       | 8 MP/6 MP/5 MP/4 MP/3 MP/1080p/UXGA/720p/VGA /4CIF/DCIF/2CIF/CIF/QCIF   |              |  |
| Synchronous playback       | 4-ch  | 8-ch         | 16-ch  |
| Capability                 | 1-ch@8 MP (30 fps)/5-ch@1080p (30 fps)  |              |  |
| Stream type                | Video, Video & Audio  |              |  |
| Audio compression          | G.711ulaw/G.711alaw/G.722/G.726   |              |  |
| <b>Network</b>             |   |              |  |
| Remote connection          | 16  | 64           |  |
| Network protocol           | TCP/IP, DHCP, IPv4, IPv6, DNS, DDNS, NTP, RTSP, SADP, SMTP, SNMP, NFS, iSCSI, ISUP, UPnP™, HTTP, HTTPS  |              |  |
| Network interface          | 1, RJ-45 10/100 Mbps self-adaptive Ethernet interface   |              | 1, RJ-45 10/100/1000 Mbps self-adaptive Ethernet interface |
| <b>Auxiliary Interface</b> |   |              |  |
| SATA                       | 1 SATA interface  |              |  |
| Capacity                   | Up to 8 TB capacity for each disk   |              |  |
| USB interface              | Front panel: 1 x USB 2.0; Rear panel: 1 x USB 2.0   |              |  |
| <b>General</b>             |   |              |  |
| Power supply               | 12 VDC, 1.3 A   |              |  |
| Consumption (without HDD)  | ≤ 10 W  |              |  |
| Working temperature        | -10 °C to 55 °C (14 °F to 131 °F)   |              |  |
| Working humidity           | 10% to 90%  |              |  |
| Dimension (W x D x H)      | 320 x 240 x 48 mm (12.4" x 9.4" x 1.9")   |              |  |
| Weight (without HDD)       | ≤ 1 kg (2.2 lb)   |              |  |
| <b>Certification</b>       |   |              |  |
| FCC                        | Part 15 Subpart B, ANSI C63.4-2014  |              |  |
| CE                         | EN 55032: 2015, EN 61000-3-2, EN 61000-3-3, EN 50130-4, EN 55035: 2017  |              |  |

# Dimension



scale/1:1;Unit/mm

## Physical Interface



| No. | Description                | No. | Description   |
|-----|----------------------------|-----|---------------|
| 1   | LAN Interface              | 6   | USB Interface |
| 2   | AUDIO OUT                  | 7   | Power Supply  |
| 3   | AUDIO IN                   | 8   | Power Switch  |
| 4   | HDMI Interface             | 9   | GND           |
| 5   | VGA Output (DB9 Connector) |     |               |

## Available Model

DS-7604NI-Q1, DS-7608NI-Q1, DS-7616NI-Q1

Distributed by



### Headquarters

No.555 Qianmo Road, Binjiang District,  
Hangzhou 310051, China  
T +86-571-8807-5998  
overseasbusiness@hikvision.com

**Hikvision USA**  
T +1-909-895-0400  
sales.usa@hikvision.com

**Hikvision Australia**  
T +61-2-8599-4233  
salesau@hikvision.com

**Hikvision India**  
T +91-22-28469900  
sales@pramahikvision.com

**Hikvision Canada**  
T +1-866-200-6690  
sales.canada@hikvision.com

**Hikvision Thailand**  
T +662-275-9949  
sales.thailand@hikvision.com

**Hikvision Europe**  
T +31-23-5542770  
sales.eu@hikvision.com

**Hikvision Italy**  
T +39-0438-6902  
info.it@hikvision.com

**Hikvision Brazil**  
T +55 11 3318-0050  
Latam.support@hikvision.com

**Hikvision Turkey**  
T +90 [216]521 7070- 7074  
sales.tr@hikvision.com

**Hikvision Malaysia**  
T +601-7652-2413  
sales.my@hikvision.com

**Hikvision UK & Ireland**  
T +01628-902140  
sales.uk@hikvision.com

**Hikvision South Africa**  
Tel: +27 [10] 0351172  
sale.africa@hikvision.com

**Hikvision France**  
T +33[0]1-85-330-450  
info.fr@hikvision.com

**Hikvision Kazakhstan**  
T +7-727-9730667  
nikia.panfilov@hikvision.ru

**Hikvision Vietnam**  
T +84-974270888  
sales.vt@hikvision.com

**Hikvision UAE**  
T +971-4-4432090  
salesme@hikvision.com

**Hikvision Singapore**  
T +65-6684-4718  
sg@hikvision.com

**Hikvision Spain**  
T +34-91-737-16-55  
info.es@hikvision.com

**Hikvision Tashkent**  
T +99-87-1238-9438  
uzb@hikvision.ru

**Hikvision Hong Kong**  
T +852-2151-1761  
info.hk@hikvision.com

**Hikvision Russia**  
T +7-495-669-67-99  
saleru@hikvision.com

**Hikvision Korea**  
T +82-(0)31-731-8817  
sales.korea@hikvision.com

**Hikvision Poland**  
T +48-22-460-01-50  
info.pl@hikvision.com

**Hikvision Indonesia**  
T +62-21-2933759  
Sales.Indonesia@hikvision.com

**Hikvision Colombia**  
sales.colombia@hikvision.com

04302102001219