

# 4MP Fisheye Fixed Dome Network Camera

IPC814SR-DVPF16



## Key Features

### Optics

- Ultra wide angle lens, 180° panoramic image
- Smart IR, Up to 10m (33ft) IR distance
- 2D/3D DNR (Digital Noise Reduction)

### Compression

- Ultra 265, H.264, MJPEG
- Built-in omni directional microphone
- Triple stream (3 panoramic view)

### Network

- ONVIF Conformance

### Structure

- Support PoE power supply
- Wide temperature range: -40°C ~ 60°C (-40°F ~ 140°F)
- Wide voltage range of ±25%
- IK10
- IP66

## Specifications

IPC814SR-DVPF16					
<b>Camera</b>					
Image sensor	1/3", 4.0 megapixel, progressive scan, CMOS				
Lens	1.6mm@F1.6				
DORI Distance	Lens (mm)	Detect (m)	Observe (m)	Recognize (m)	Identify (m)
	1.6	36	14.4	7.2	3.7
Angle of View	180°				
Shutter	Auto/Manual, shutter time: 1 ~ 1/100000s				
Minimum Illumination	Colour: 0.01Lux (F1.6, AGC ON) 0Lux with IR				
Day / Night	IR-cut filter for day & night function				
Digital noise reduction	2D/3D DNR				
S/N	>55dB				
IR Range	UP to 10m (33ft)				
Defog	Digital Defog				
WDR	120dB				
<b>Video</b>					
Compression	Ultra265, H.264, MJPEG				
H.264 code profile	Baseline profile, Main Profile, High Profile				
Frame Rate	Main Stream : 4MP (2560*1440), Max 25fps; Sub Stream: 1080P (1920*1080), Max 25fps; Third Stream: D1 (720*576), Max 25fps				
BLC	Supported				
OSD	Up to 8 OSDs				
ROI	Up to 8 areas				
Privacy Mask	Up to 8 areas				
Motion Detection	Up to 4 areas				
General Function	Watermark, IP Address Filtering, Tampering Alarm, Alarm input, Alarm output, Access Policy, ARP Protection, RTSP Authentication, User Authentication				
<b>Audio</b>					
Audio Compression	G.711				
Two-way audio	Supported				
Suppression	Supported				
Sampling Rate	8KHZ				
<b>Storage</b>					
Edge Storage	Micro SD, up to 256GB				
Network Storage	ANR				
<b>Network</b>					
Protocols	IPv4, IGMP, ICMP, ARP, TCP, UDP, DHCP, PPPoE, RTP, RTSP, RTCP, DNS, DDNS, NTP, FTP, UPnP, HTTP, HTTPS, SMTP, 802.1x, SNMP, QoS				
Compatible Integration	ONVIF (Profile S, Profile G, Profile T), API				
<b>Live View Display</b>					
Mount Type	Support table, wall, and ceiling				

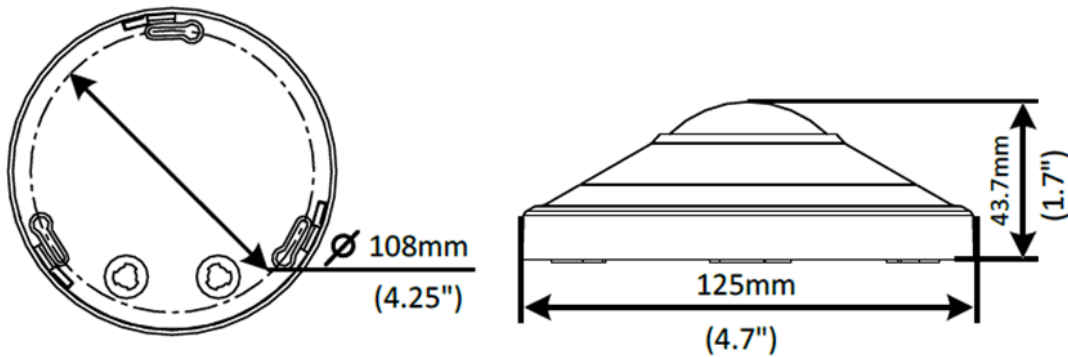
**Interface**

Audio I/O	Audio interface
	Input: impedance 35kΩ; amplitude 2V [p-p]
	Output: impedance 600Ω; amplitude 2V [p-p]
	3 built-in omnidirectional microphone
Alarm I/O	1/1
Built-in Mic	Supported
Video Output	1 BNC, impedance 75Ω; amplitude 1V [p-p]
Network	1 RJ45 10M/100M Base-TX Auto-adaptive Ethernet

**General**

Power	DC 12V±25%, PoE (IEEE 802.3af)
	Power consumption: Max 11W
Dimensions (Ø x H)	Φ125 x 43.7mm (Φ4.9" x 1.7")
Weight	0.39kg (0.86lb)
Working Environment	-40°C ~ 60°C (-40°F ~ 140°F), Humidity: ≤95% RH
Ingress Protection	IP66
Vandal Resistant	IK10
Reset Button	Supported

## Dimensions


**Zhejiang Uniview Technologies Co., Ltd.**

Building No.10, Wanlun Science Park, Jiangling Road 88, Binjiang District, Hangzhou, Zhejiang, China (310051)

Email: [overseasbusiness@uniview.com](mailto:overseasbusiness@uniview.com); [globalsupport@uniview.com](mailto:globalsupport@uniview.com)

<http://www.uniview.com>

©2019 Zhejiang Uniview Technologies Co., Ltd. All rights reserved.

\*Product specifications and availability are subject to change without notice.