

## DS-K1T671TM-3XF Face Recognition Terminal

DS-K1T671TM-3XF face recognition terminal is a kind of access control device integrated with fever screening function. It can fast taking skin-surface temperature and upload abnormal temperature event to the center, which can be widely applied in multiple scenarios, such as enterprises, stations, dwellings, factories, schools, campus and so on.



### Available Model

DS-K1T671TM-3XF

### Features

- Supports Vanadium Oxide uncooled sensor to measure target's temperature
- Temperature measuring range: 30 °C to 45 °C (86 °F to 113 °F), accuracy: ± 0.5 °C without black body calibration
- Recognition distance: 0.3 to 2 m
- Fast temperature measurement mode: Detects face and takes skin-surface temperature without identity authentication.
- Multiple authentication modes are available: card and temperature, face and temperature, card and face and temperature, etc.
- Face mask wearing alert  
If the recognizing face does not wear a mask, the device will prompt a voice reminder. At the same time, the authentication or attendance is valid.
- Forced mask wearing alert  
If the recognizing face does not wear a mask, the device will prompt a voice reminder. At the same time, the authentication or attendance will be failed.
- Displays temperature measurement results on the authentication page
- Triggers voice prompt when detecting fever
- Configurable door status (open/close) when detecting fever
- Transmits online and offline temperature information to the client software via TCP/IP communication and saves the data on the client software
- Face recognition duration < 0.2 s/User; face recognition accuracy rate ≥ 99%
- 50,000 face capacity, 50,000 card capacity, and 100,000 event capacity



- Suggested height for face recognition: between 1.4 m and 1.9 m
  - Supports 6 attendance status, including check in, check out, break in, break out, overtime in, overtime out
  - Watchdog design and tamper function
  - Audio prompt for authentication result
  - NTP, manually time synchronization, and auto synchronization
  - Connects to external access controller or Wiegand card reader via Wiegand protocol
  - Connects to secure door control unit via RS-485 protocol to avoid the door opening when the terminal is destroyed
  - Imports and export data to the device from the client software
- \* **Biometric recognition products are not 100% applicable to anti-spoofing environments. If you require a higher security level, use multiple authentication modes.**

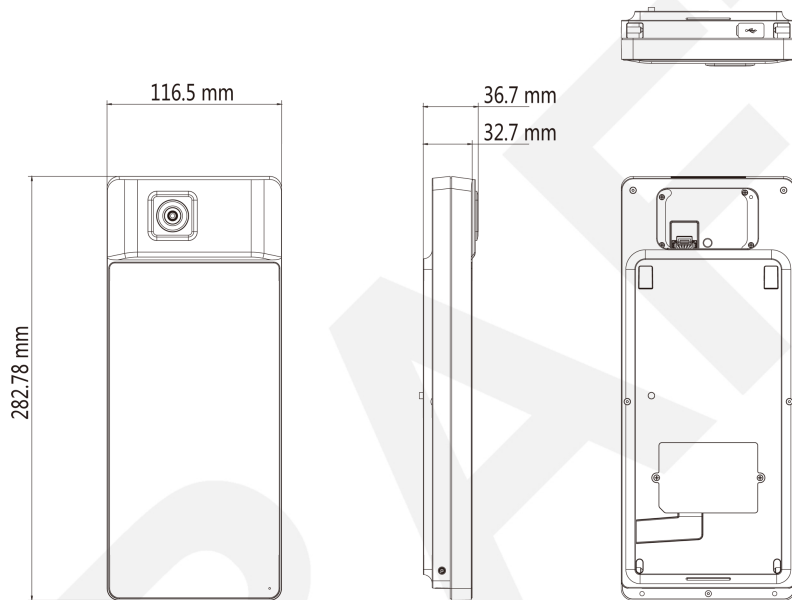
## Specifications

Model		DS-K1T671TM-3XF
Operation system		Linux
Temperature measurement	Sensor	Vanadium Oxide uncooled sensor
	Resolution	120 × 160
	Frame rate	25 fps
	Temperature range	30 °C to 45 °C (86 °F to 113 °F)
	Temperature accuracy	±0.5 °C, without black body calibration
	Measuring distance	0.3 to 2 m
Screen	Screen	7 inch touch screen
	Ratio	16:9
	Resolution	1024 × 600
Camera		2 MP dual-lens camera, WDR
Indicator		Support
Face	Recognition mode	Face: 1:1 and 1:N
	Face capacity	50,000
	Face recognition duration	< 0.2 s per person
	Face recognition distance	0.3 to 2 m
Card	Card capacity	50,000
	Card type	M1 card
	Card presenting duration	< 1 s
	Card presenting distance	0 to 5 cm
Event capacity		100,000
Interface		Network × 1, RS-485 × 1, Wiegand × 1, USB × 2, alarm output × 1, alarm input × 2, lock × 1, door contact × 1, exit button × 1, tamper × 1
Network		10/100/1000 Mbps self-adaptive
Wi-Fi		/
Tamper		Support

<b>Model</b>	<b>DS-K1T671TM-3XF</b>	
<b>Other</b>	Working voltage	12 VDC/2 A
	Working temperature	0 °C to 50 °C (32 °F to 122 °F)
	Working humidity	10 to 90% (No condensing)
	Application	Indoor
	Application environment	Indoor and windless environment use only

\* Exposing the equipment to direct sun light, low ventilation or heat source such as heater or radiator is forbidden (ignorance can cause fire danger).

**Dimensions**



Distributed by

**HIKVISION®****Headquarters**

No.555 Qianmo Road, Binjiang District,  
Hangzhou 310051, China  
T +86-571-8807-5998  
overseasbusiness@hikvision.com

**Hikvision USA**  
T +1-909-895-0400  
sales.usa@hikvision.com

**Hikvision Australia**  
T +61-2-8599-4233  
salesau@hikvision.com

**Hikvision India**  
T +91-22-28469900  
sales@pramahikvision.com

**Hikvision Canada**  
T +1-866-200-6690  
sales.canada@hikvision.com

**Hikvision Thailand**  
T +662-275-9949  
sales.thailand@hikvision.com

**Hikvision Europe**  
T +31-23-5542770  
sales.eu@hikvision.com

**Hikvision Italy**  
T +39-0438-6902  
info.it@hikvision.com

**Hikvision Brazil**  
T +55 11 3318-0050  
Latam.support@hikvision.com

**Hikvision Turkey**  
T +90 [216]521 7070- 7074  
sales.tr@hikvision.com

**Hikvision Malaysia**  
T +601-7652-2413  
sales.my@hikvision.com

**Hikvision UK & Ireland**  
T +01628-902140  
sales.uk@hikvision.com

**Hikvision South Africa**  
Tel: +27 (10) 0351172  
sale.africa@hikvision.com

**Hikvision France**  
T +33(0)1-85-330-450  
info.fr@hikvision.com

**Hikvision Kazakhstan**  
T +7-727-9730667  
nikia.panfilov@hikvision.ru

**Hikvision Vietnam**  
T +84-974270888  
sales.vt@hikvision.com

**Hikvision UAE**  
T +971-4-4432090  
salesme@hikvision.com

**Hikvision Singapore**  
T +65-6684-4718  
sg@hikvision.com

**Hikvision Spain**  
T +34-91-737-16-55  
info.es@hikvision.com

**Hikvision Tashkent**  
T +99-87-1238-9438  
uzb@hikvision.ru

**Hikvision Hong Kong**  
T +852-2151-1761  
info.hk@hikvision.com

**Hikvision Russia**  
T +7-495-669-67-99  
saleru@hikvision.com

**Hikvision Korea**  
T +82-(0)31-731-8817  
sales.korea@hikvision.com

**Hikvision Poland**  
T +48-22-460-01-50  
info.pl@hikvision.com

**Hikvision Indonesia**  
T +62-21-2933759  
Sales.Indonesia@hikvision.com

**Hikvision Colombia**  
sales.colombia@hikvision.com