

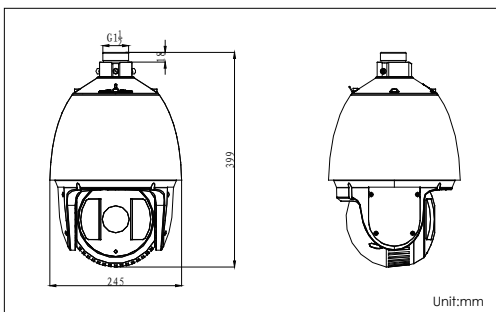
DS-2DF7286/7284 series 2MP Network IR PTZ Dome Camera



Key features

- 1/2.8" Progressive Scan CMOS
- 30X / 20X optical zoom, 16X digital zoom
- Smart Tracking, Defog
- Up to 150m IR distance
- True Day/Night, D WDR, 3D DNR
- 3D intelligent positioning
- Triple stream
- 24VAC / High-PoE power supply

Dimensions



Accessories



DS-1601ZJ DS-1601ZJ-corner DS-1601ZJ-pole DS-1634ZJ

Available models

- DS-2DF7286-A: 24VAC, outdoor
- DS-2DF7286-AEL: High-PoE & 24VAC, outdoor
- DS-2DF7284-A: 24VAC, outdoor
- DS-2DF7284-AEL: High-PoE & 24VAC, outdoor

	DS-2DF7286-A/AEL	DS-2DF7284-A/AEL
Camera		
Image sensor	1/2.8" Progressive Scan CMOS	
Effective pixel	2230K pixels	
Min. Illumination	Color : 0.4lux (F1.6, 1/30 sec, 50 IRE, AGC on); 0.05lux (F1.6, 1/1 sec, 50 IRE, AGC on); 0 lux with IR B/W : 0.03lux (F1.6, 1/30 sec, 50 IRE, AGC on); 0.005lux (F1.6, 1/1 sec, 50 IRE, AGC on); 0 lux with IR	
White balance	Auto / Manual /ATW/Indoor / Outdoor / Daylight lamp / Sodium lamp	
AGC	Auto / Manual	
S / N ratio	≥ 50dB	
Digital noise reduction	3D DNR	
Backlight compensation	HLC / BLC	
Wide dynamic range	Digital WDR	
Shutter speed	50Hz: 1 ~ 1/30,000s, 60Hz: 1 ~ 1/30,000s	
Day & Night	IR Cut Filter	
Digital zoom	16X	
Privacy masking	24 privacy masks programmable, optional multiple colors and mosaics	
Focus mode	Auto / Semiautomatic / Manual	
Enhancement	Defog	
Lens		
Focal length	4.3 ~ 129mm, 30X optical zoom	4.7 ~ 94mm, 20X optical zoom
Zoom speed	Approx. 3s (Optical Wide-Tele)	Approx. 2.7s (Optical Wide-Tele)
Angle of view	65.5 ~ 2.11 degree (Wide-Tele)	58.3 ~ 3.2 degree (Wide-Tele)
Min. Working distance	10 ~ 1500mm(Wide-Tele)	
Aperture range	F1.6 ~ F5.0	F1.6 ~ F3.5
Pan and Tilt		
Smart tracking	Support	
Pan / Tilt range	Pan: 360° endless; Tilt: -2° ~ 90° (auto flip)	
Pan / Tilt speed	Pan Manual Speed: 0.1° ~ 160°/s, Pan Preset Speed: 240°/s Tilt Manual Speed: 0.1° ~ 120°/s, Tilt Preset Speed: 200°/s	
Proportional zoom	Rotation speed can be adjusted automatically according to zoom multiples	
Number of preset	256	
Patrol	8 patrols, up to 32 presets per patrol	
Pattern	4 patterns, with the recording time not less than 10 minutes per pattern	
Power-off memory	Support	
Park action	Preset / Patrol / Pattern / Pan scan / Tilt scan / Random scan / Frame scan / Panorama scan	
PTZ position display	Support	
Preset freezing	Support	
Scheduled task	Preset / Patrol / Pattern / Pan scan / Tilt scan / Random scan / Frame scan / Panorama scan/Dome reboot/Self-test action/Alarm output	
Infrared		
Smart IR	Support	
IR distance	Up to 150m	
IR intensity	Automatically adjusted, depending on the zoom ratio	
Alarm		
Alarm input	7 inputs	
Alarm output	2 relay outputs, alarm response actions configurable	
Alarm trigger	Motion detection, Audio Exception Detection, Dynamic analysis, Tampering alarm, Network disconnect, IP address conflict, Storage exception	
Alarm action	Preset, Patrol, Pattern, SD/SDHC card recording, Relay output, Notification on Client	
Local Video&Audio		
Video output	1.0V[p-p] / 75Ω, NTSC (or PAL) composite, BNC	
Audio input	1 Mic in/Line in interface. Line input: 2-2.4V[p-p]; output impedance: 1KΩ, ±10%	
Audio output	1 Audio output interface. Line level, impedance: 600Ω	
Network		
Ethernet	10Base-T / 100Base-TX, RJ45 connector	
Max. image resolution	1920×1080	
Frame rate	50Hz: 25 fps (1920×1080), 25 fps (1280×960), 25 fps (1280×720) 60Hz: 30 fps (1920×1080), 30 fps (1280×960), 30 fps (1280×720)	
Image compression	H.264 / MJPEG / MPEG4, H.264 encoding with Baseline / Main / High profile	
SVC	Support	
ROI encoding	Support	
Audio compression	G.711u / G.711a / G.726 / MP2L2	
Protocols	IPv4/IPv6, HTTP, HTTPS, 802.1x, Qos, FTP, SMTP, UPnP, SNMP, DNS, DDNS, NTP, RTSP, RTP, TCP, UDP, IGMP, ICMP, DHCP, PPPoE	
Simultaneous live view	Up to 10	
Streams	Triple streams	
SD memory card	Built-in SD/SDHC Slot, up to 32GB, support manual / alarm / edge recording	
User/Host level	Up to 32 users, 3 Levels: Administrator, Operator and User	
Security measures	User authentication (ID and PW), Host authentication (MAC address), IP address filtering	
Integration		
Application programming	Open-ended API, support Onvif, PSIA and CGI	
Web browser	IE 7+, Chrome 18+, Firefox 5.0+, Safari 5.0+, support multi-language	
General		
RS-485 protocols	HIKVISION, Pelco-P, Pelco-D, self-adaptive	
Power	-A: 24VAC, max. 50W -AEL: 24VAC, max. 60W / High-PoE, max. 50W	
Working temperature	-A: -30°C ~ 65°C(-22°F ~ 149°F) -AEL: 24 VAC: -40°C ~ 65°C (-40°F ~ 149°F) / High-PoE: -30°C ~ 65°C (-22°F ~ 149°F)	
Humidity	90% or less	
Protection level	IP66, TVS 4000V lightning protection, surge protection and voltage transient protection	
Dimensions	Φ245 × 399mm (Φ9.65" × 15.71")	
Weight	Approx. 5.5kg(12.13lbs)	
Mount option	Long-arm wall mount: DS-1601ZJ; Pole Mount: DS-1601ZJ-pole;	Corner mount: DS-1601ZJ-corner; Power box mount: DS-1634ZJ